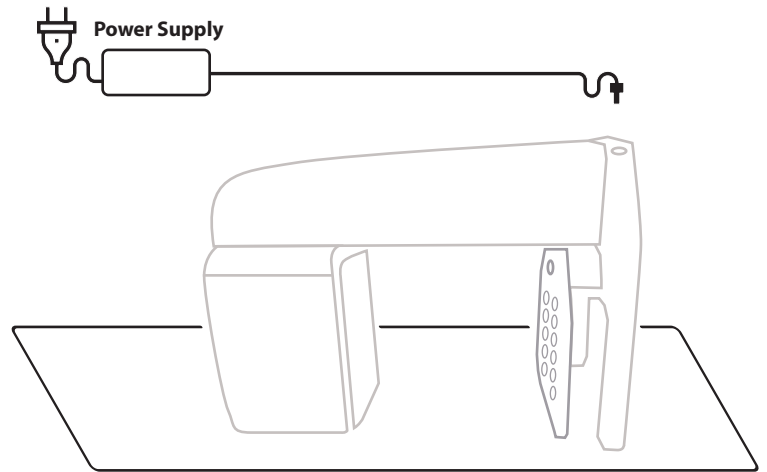


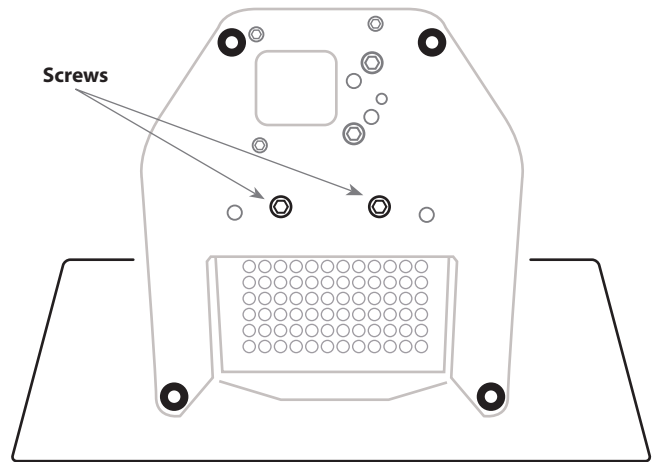
Step 1.

- 1A. Unplug the **Power Supply** from the electrical outlet or the microPro.
- 1B. Lay the unit face down on a flat, sturdy surface.



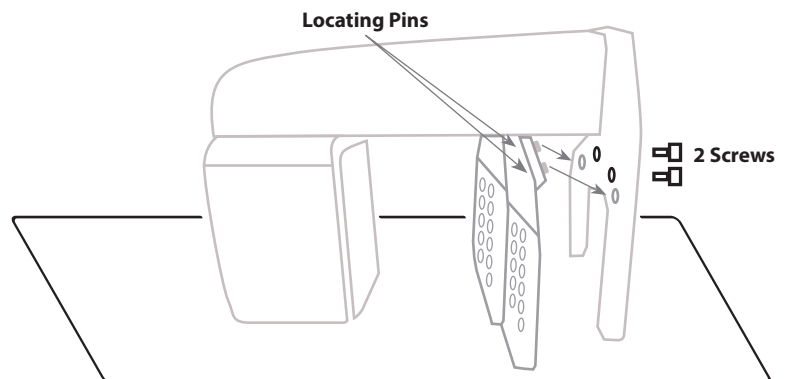
Step 2.

- 2A. On the bottom of the instrument, use the provided 3/16" allen key to remove the indicated **Screws**.



Step 3.

- 3A. Align the **Locating Pins** on the underside of the Dual Nest assembly with the corresponding holes in the microPro base.
- 3B. Replace the **2 Screws** that were removed in step 2A.
- 3C. Stand the instrument upright.



Congratulations! You are now ready to use your microPro Series Dual Nest to increase the efficiency and speed of your workflows.